



ROUND SHANK BORING TOOLS

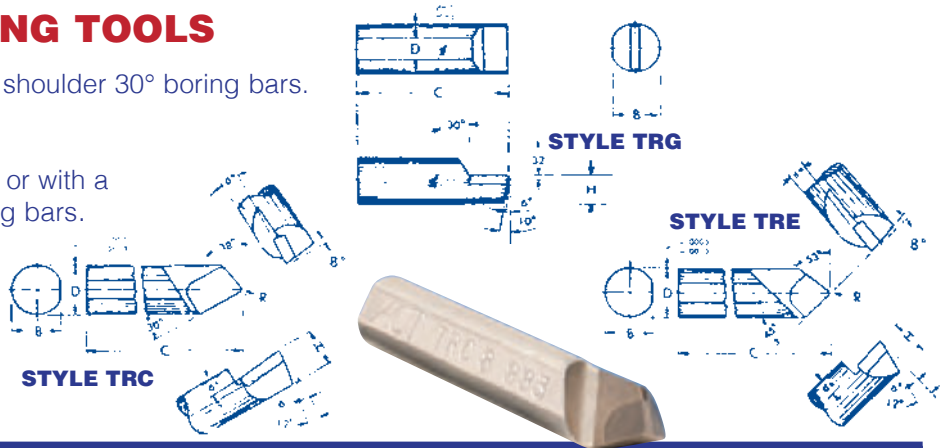
TRC Style For Boring to a square shoulder 30° boring bars.

TRE Style

For Boring to a square in 45° boring or with a 15° lead angle in 30° shoulder boring bars.

TRG Style

For shouldering in 90° boring bars.
Neutral rake.



TRC • TRE • TRG

TOOL NUMBER	SHANK DIMENSIONS				NOSE RADIUS	PKG QTY	Cast Iron & Non-Ferrous Grades		Steel Grades		
	A	B	C	F			C2	883*	C5	C6	370*
TRC-5	5/16	19/64	1-1/2	7/32	1/64	12	57003	57007	57019	57020	
TRC-6	3/8	11/32	1-3/4	9/32	1/64	12	57031	57035	57047	57048	57052
TRC-8	1/2	15/32	2-1/2	3/8	1/32	12	57059		57075	57076	
TRE-5	5/16	19/64	1-1/2	7/32	1/64	12	57143	57147	57159	57160	57164
TRE-6	3/8	11/32	1-3/4	9/32	1/64	12	57171	57175	57187	57188	57192
TRE-8	1/2	15/32	2-1/2	3/8	1/32	12	57199		57215	57216	
TRG-5	5/16	19/64	1-1/2	13/16		12	57283	57287	57299	57300	57304
TRG-6	3/8	11/32	1-3/4	1/4		12	57311	57315	57327	57328	57332
TRG-8	1/2	15/32	2-1/2	9/32		12	57339	57343	57355	57356	57360

Red stock numbers – non-stock items

* Limited quantities available while supplies last.